

**Update  
Update  
Update**

**Update  
Update  
Update**

**Update  
Update  
Update**

**Tool &  
Product  
Update**

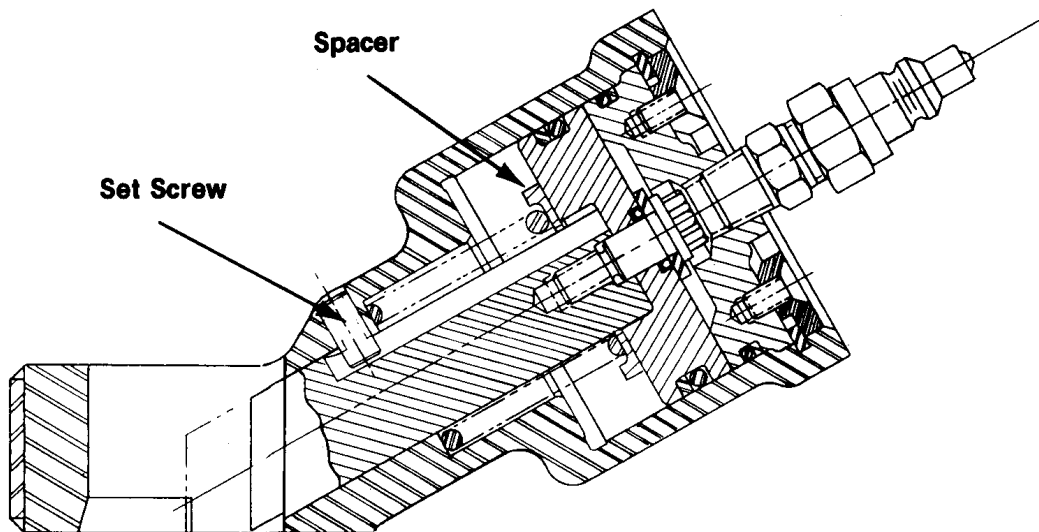
**New Spacer for M532 Collar Cutter  
Prevents Blade Damage**

A new Spacer, P/N 115701, is available for the Model M532 Collar Cutter. The spacer limits piston/blade stroke minimizing the possibility of the moving blade striking the pin on the cutting stroke. The blade life is substantially increased when the blade does not contact the pin—blade breakage is minimized.

**To install spacer:**

The set screw in the body of the tool and the various components at the rear cap are removed. The piston is pulled out and the spacer is added as shown. Reassemble tool.

Below is an illustration of the new spacer in the tool.



**Huck Manufacturing Company  
Installation Equipment Division  
P.O. Box 1250  
Kingston, New York 12401-0250**

A Subsidiary of  
Federal Mogul Corporation



Date 6-5-84

No. 244