

Tool & Product Update

Models 352 and 353 Deflector Screw Interference

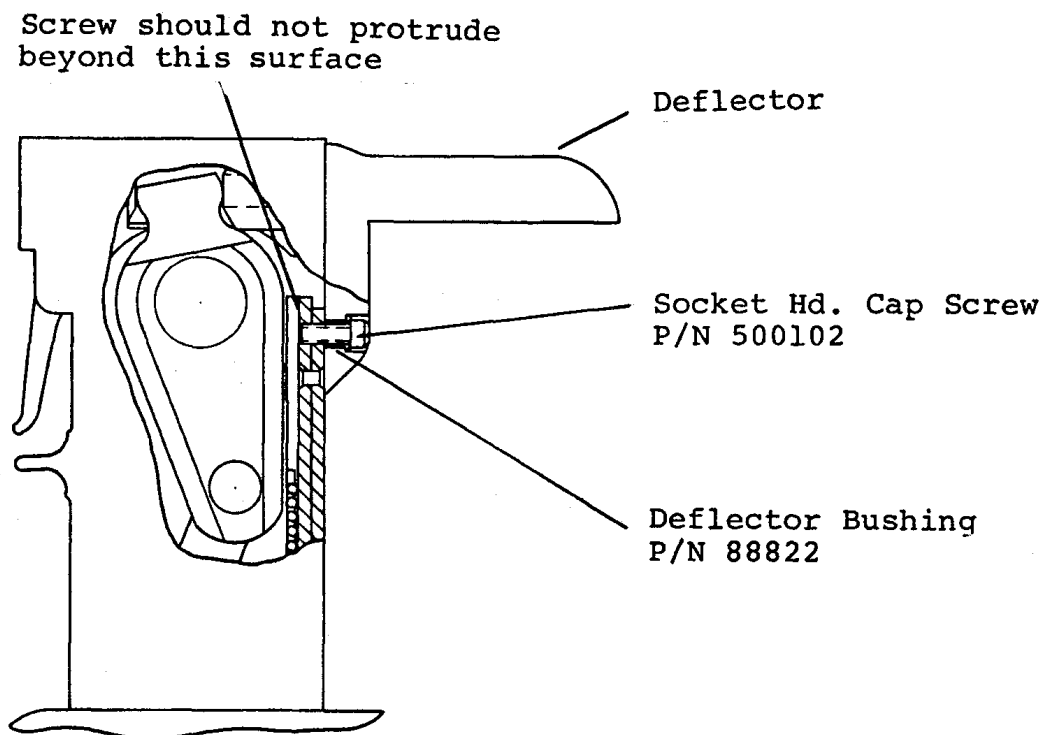
Interference of deflector screw and upper ladder bearing cage in Models 352 and 353 Installation Tools has been reported.

The machined Bushing, P/N 88822, was replaced with a 3LC Lockbolt collar which is too short for Socket Head Cap Screw, P/N 500102. This allows end of screw to protrude into path of ascending ladder bearing and shearing screw end.

Corrective action (choose one of three):

- (1) Replace 3LC lockbolt collar bushing with machined type bushing. 3LC collar is plated, machined bushing has black oxide finish.
- (2) Shorten/grind .050 off screw end, P/N 500102.
- (3) Place .050 washer between screw head and bushing.

Note: Bushing, P/N 88822, correct length is .313 plus or minus .010



8-10-83

217