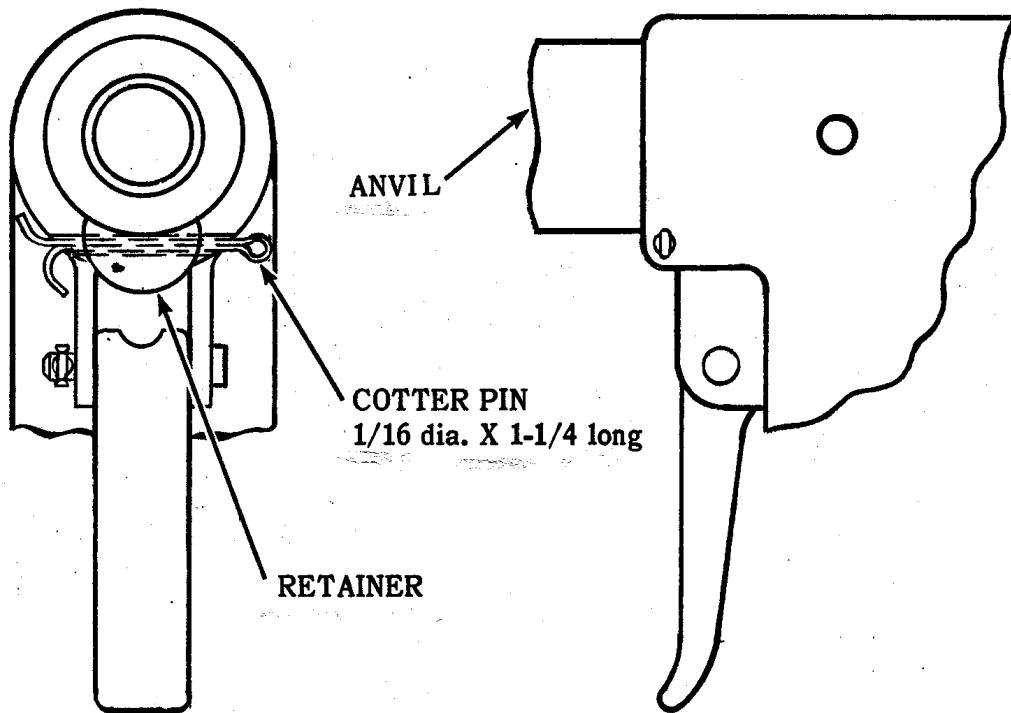


Tool &
Product
Update

OPTIONAL ANVIL RETAINERS FOR
MODELS 352, 353, 356 AND 357 H.I.T.



Optional anvil and anvil holder retainers are available to use in place of standard retainers and springs.

MODEL NO.	STANDARD PARTS		OPTIONAL PARTS	
	RETAINER	SPRING	RETAINER	COTTER PIN
352 356 357	93951	93952	84191	501311
353	93955	93952	84196	501311