

Tool & Product Update

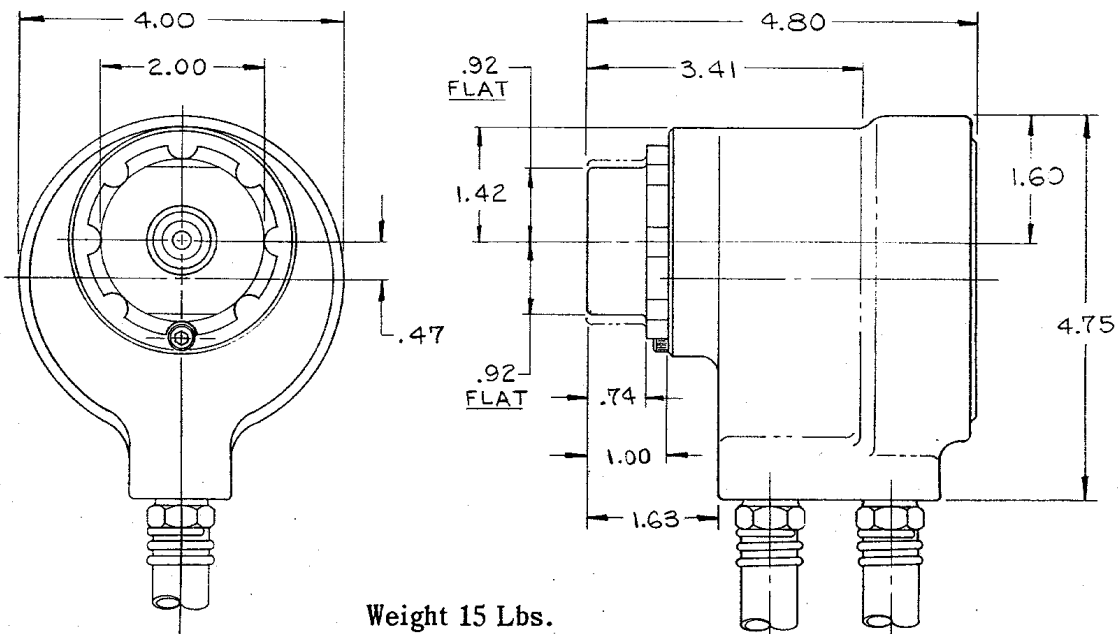
MARKET RELEASE MODEL 5304 ECCENTRIC HYDRAULIC INSTALLATION TOOL

The new Model 5304, designed for limited clearance installation of C50L-16 Huckbolt[®] Fasteners is available in addition to Eccentric Tools 6304 (5/8), 7304 (3/4), 8304 (7/8) and 9304 (1").

The 5304 is designed to operate on 5400-5700 psi PULL and 2200-2400 psi RETURN pressures as supplied by Huck Hydraulic POWERIGS[®]. However, when used with Huck In-line Tools or Huck Eccentric Tools, the Model 5304 Tool may be operated at the pressures required for the In-line or Eccentric Tools.

The 5304 components include an unloading valve designed to dump pressure at both ends of the stroke.

The 5304 is equipped with hoses, couplers, auxiliary trigger, and electrical control cord.



3/10/75