

# Tool & Product Update

## MARKET RELEASE NEW INTERMEDIATE LENGTH STANDARD NOSE ASSEMBLIES

Intermediate length nose assemblies are available to install -20 thru -36 C50L HUCKBOLT® Fasteners, -24 thru -36 HLC50L HUCKKLOK® Fasteners and 16 mm and 22 mm M50L (metric) HUCKBOLT Fasteners.

These nose assemblies are STANDARD and covered by Huck's standard warranty. They are designed with one piece collets to eliminate the necessity of spindle extensions and locking nuts or sleeves. They can be used in most applications that formerly required special long nose assemblies.

NOSE ASSEMBLY	FASTENER	INSTALLATION TOOL
99-1016	C50L-20 HUCKBOLT Fasteners M50L-16 HUCKBOLT Fasteners	505
99-1017	C50L-24 HUCKBOLT Fasteners HLC50L-24 HUCKKLOK Fasteners	505
99-1001	C50L-28 HUCKBOLT Fasteners HLC50L-28 HUCKBOLT Fasteners M50L-22 HUCKBOLT Fasteners	506
99-1002	C50L-32 HUCKBOLT Fasteners HLC50L-32 HUCKKLOK Fasteners	507
99-1003	C50L-36 HUCKBOLT Fasteners HLC50L-36 HUCKKLOK Fasteners	507

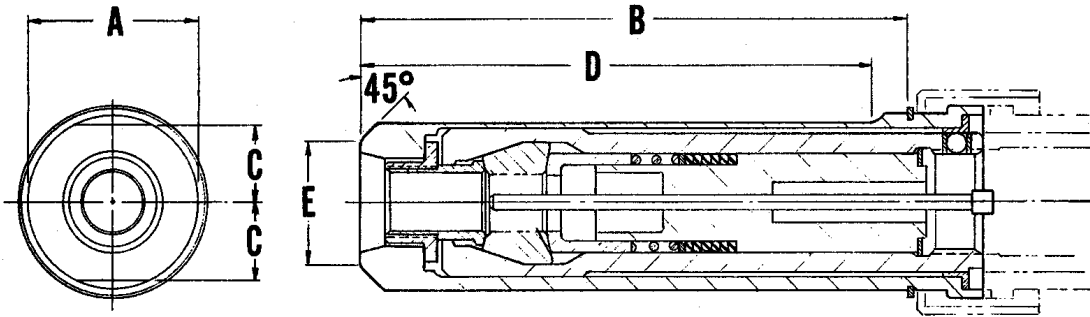


Figure 1

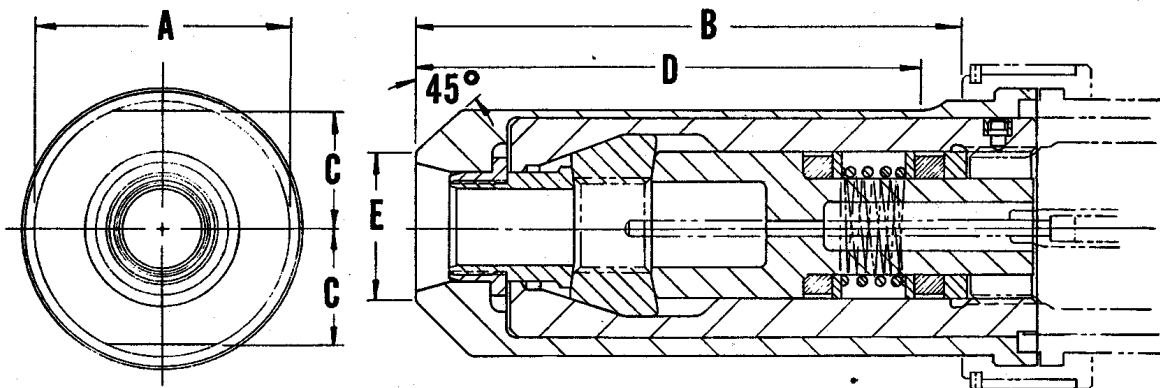


Figure 2

NOSE ASSEMBLY	FASTENER DIAMETER	FIGURE	A	B	C	D	E
99-1016	-20(5/8")	1	2.19	7.00	.96	6.50	1.34
99-1017	-24(3/4")	1	2.19	7.00	1.03	6.50	1.55
99-1001	-28(7/8")	2	2.75	7.00	1.28	6.50	1.75
99-1002	-32(1")	2	3.25	7.00	1.50	6.50	1.90
99-1003	-36(1-1/8")	2	3.25	7.20	1.50	6.50	2.10

(Dimensions in inches)

Revised  
4-15-77