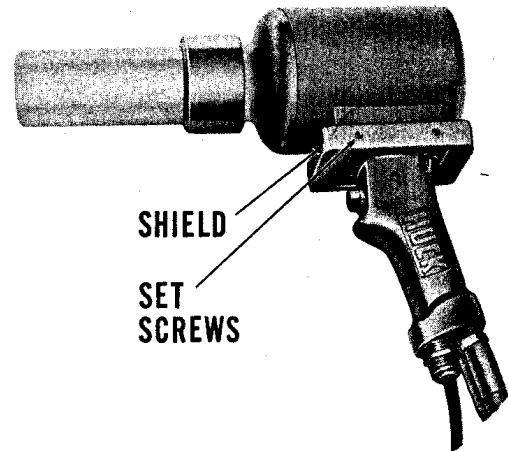


# Tool & Product Update

## HANDLE SHIELDS

Installation tools listed below are now being shipped with a shield to cover the joint between the handle and the cylinder. This shield is designed to protect the operator in the event a leak develops because of improper tightening of the handle to cylinder screws or because the O-rings had been damaged.



Hydraulic Installation Tool showing shield installed.

### Huck Installation Tools equipped with Handle Shields

504	22700	52700	12700	42700	42700-5	42700-10
505	24800	54800	14800	44800	44800-5	44800-10
	25900	55900	15900	45900	45900-5	45900-10

Handle Assemblies shipped as replacement parts also include the shield.

The shield is available separately as P/N 110277. It can be installed in a few minutes. Just slide it over the handle-position and tighten four set screws using hex key - 3/32 across flats-Huck P/N 502293.

The four handle to cylinder screws must be tightened to 135 inch pounds torque if plated and 180 inch pounds torque if unplated. (The hex socket in these screws is 3/16 across flats.)

09-03-74

125

PAGE 1 OF 3

\*

**SUBJECT: Handle Shields Modification Reference Product  
Bulletin 125 Dated 9-3-74.**

**Effective February 1985 the Handle Shield Part Number  
110277 and 110277-1 have been modified to remove the  
threaded inserts from the shield.**

The latest design shields contain a welded bar in place of the inserts. This bar provides for locating the shield on the handle and prevents distortion when tightening the screws.

A drilling template part number 42-403 and four self tapping screws are included with each shield to permit the technician to drill the holes in the correct location on the handle and mount the shield.

A handle with drilled holes provides a more secure mounting for the shield than the previous set screw method. All new production handles are supplied with drilled holes.

# Handle Drilled for Shield Assembly

