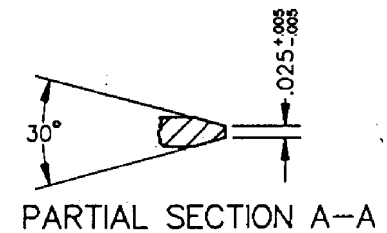
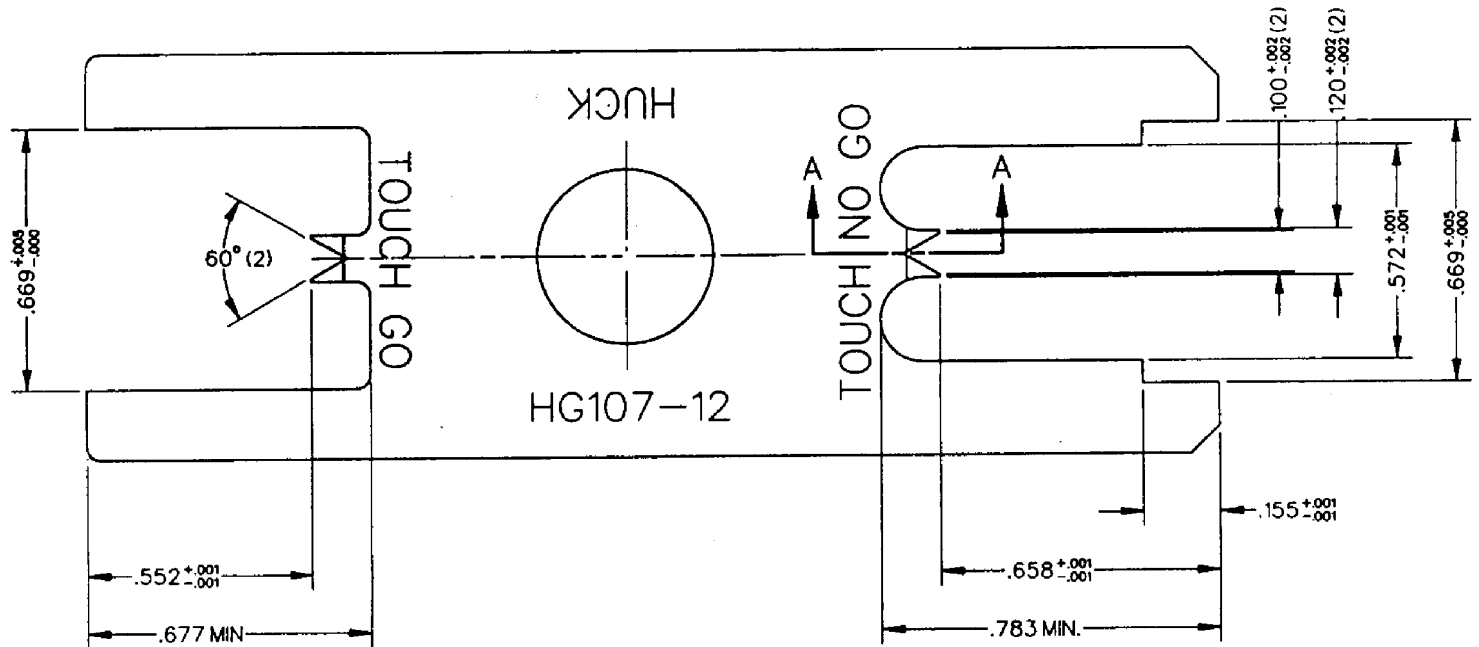




**Huck Fasteners**  
an Alcoa business

# GAGE DATA SHEET



©Huck International, Inc. 1995  
©Registered Trademark of Huck International, Inc., Irvine, CA  
™Trademark of Huck International, Inc., Irvine, CA

<b>HG107-12</b>	GAGE NUMBER	Huck International, Inc. Installation System Division 1 Corporate Drive - Kingston, NY 12401	
		<b>PIN/COLLAR:</b> GPS8T( )-V12 / 2TC-C12 <b>NAME:</b> GPS Ti, tension pin / alum collar <b>TYPE:</b> Stump (pin position - swage)	
OTHER		<b>PRODUCT REVISION:</b> B <b>REVISED:</b> 2/20/2002	